

**ACR100 SIMFlash**



**TECHNICAL SPECIFICATIONS**

**Version 1.6 01-2006**



## ACR100 SIMFlash

### 1.0 Introduction



More than just a smart card reader, the ACR100 also has a built-in 256MB flash memory. Designed to access SIM-sized smart cards (Plug-in cards) and for data or application storage. It is ideal for GSM solutions such as GSM management software and VoIP applications, electronic payment systems, home banking, computer/network access and transportation.

#### i) Serves as a Plug-in (SIM-sized) Card Reader:

ACR100 is a reliable and cost-effective smart card reader for security related applications. A USB full speed Plug-in (SIM-sized) card reader that enables you to back-up and manage the information on your SIM card to your PC. It supports MCU cards with T=0 and T=1 protocols and GSM cards conforming to Spec 11.11.

#### ii) Serves as a Mass Storage Device:

Furthermore, it is a Mass Storage device at the same time. Highly **portable** – with a dimension of 78.73 mm x 21.50 mm x 11.00 mm makes it a perfect companion wherever you go. **Bus powered** – no need for additional cable and power supply. And a **Mass Storage Device Class compatible** – no need for additional drivers.

### 2.0 Features

- USB full speed interface
- No need for separate power supply or battery – *Bus powered*
- No need to run separate drivers on most Windows version – *CCID and Mass Storage Device Class compatible*
- Automatic driver installation functionality
- USB Composite Device – works as Mass Storage and Smart Card Reader
- With protective USB cap, SIM card slot cover and Keychain loop
- Compliant with the following International Standards: *ISO7816, CE, FCC, PC/SC, and Microsoft WHQL*
- Smart Card Reader:
  - Read and write all microprocessor cards with T=0, T=1 protocols
  - Support 5V MCU cards
  - Support GSM card with Spec 11.11
  - Support Plug-in (SIM-sized) card
  - Short Circuit Protection
- Flash Drive:
  - Mass Storage Device Class compatible - no driver needed in Windows 2000 and XP
  - Built-in 256MB flash memory (higher memory size is available upon request)
  - Public (*free read/write area for data storage*) and Private (*protected area for pre-loaded applications*) zones

### 3.0 Typical Applications

- GSM Management
- Data Storage
- Home Banking
- Electronic Commerce
- Computer/Network access control
- Digital Signature
- Identification
- Ticketing
- Parking and Toll Collection
- Online Gaming

Advanced Card Systems Ltd.  
Unit 1008, 10th Floor  
Hongkong International Trade and Exhibition Centre  
1 Trademart Drive, Kowloon Bay, Hong Kong

Tel: +852 2796 7873  
Website: [www.acs.com.hk](http://www.acs.com.hk)

Fax: +852 2796 1286  
Email: [info@acs.com.hk](mailto:info@acs.com.hk)

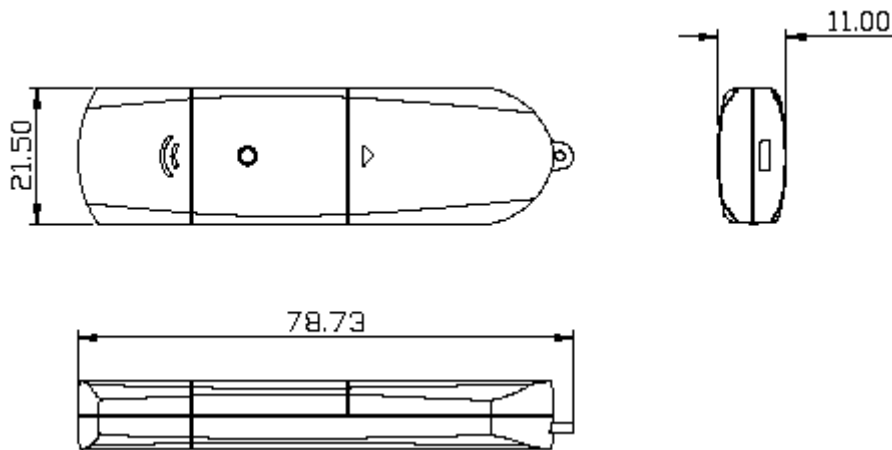
## 4.0 OEM possibility

The ACR100 SIMFlash is available for custom branding for promotion purposes. OEM enquiry is welcome.

- Casing color
- Customized logo printing
- Size of flash memory (64MB to 1GB)
- Other adaptations according to your requirements



## 5.0 Technical Specification



### Power supply

Supply voltage ..... Regulated 5V DC  
 Supply current ..... < 100mA (without smart card)

### Universal Serial Bus Interface

Type ..... USB, four lines: +5V, GND, D+ and D-  
 Connector ..... Supplied together with the reader  
 Speed ..... Full Speed Device, 12 Mbps

### Smart Card Interface

Standard ..... ISO7816 Class A and AB (5V, 3-5V), T=0 and T=1  
 Supply current ..... max. 50mA  
 Smart card voltage ..... 5V  
 Smart card read / write speed ..... 10752 bps  
 Short circuit protection ..... +5V / GND on all pins  
 CLK frequency ..... 4 MHz  
 Card connector ..... sliding contacts (8 contacts)  
 Card insertion cycles ..... min. 100,000

### Flash Memory Interface

Memory size ..... 256Mbyte  
 Voltage supply ..... 2.7V ~ 3.6V  
 Supply current ..... max. 50mA  
 Endurance ..... 100K Program/Erase Cycles  
 Data retention ..... 10 Years

Bicolor LED shows the status of smart card and flash memory

### Case

Dimensions ..... 78.73mm (L) x 21.50mm (W) x 11.00mm (H)  
 Color ..... Translucent Black  
 Weight ..... 20g

### Operating Conditions

Temperature ..... 0 - 50° C

### Standards/Certifications

ISO7816 Class A and AB (5V, 3-5V) cards, PC/SC, CE, FCC, Microsoft WHQL

### OS

Windows 2000, XP



**Advanced Card Systems Ltd.**  
 Unit 1008, 10th Floor  
 Hongkong International Trade and Exhibition Centre  
 1 Trademart Drive, Kowloon Bay, Hong Kong

Tel: +852 2796 7873  
 Website: www.acs.com.hk

Fax: +852 2796 1286  
 Email: info@acs.com.hk